

For reference only. See data sheet for the detailed specifications.

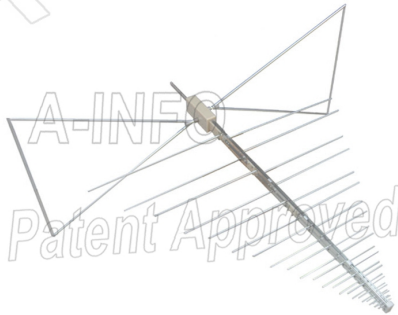
Technical Specification

P/N:DS-3300	
Frequency Range(GHz)	0.03 – 3.0
Gain(dBi)	6 Typ.
Polarization	Linear
3dB Beamwidth(deg)	E Plane: 100 - 33
	H Plane: 360 - 84
VSWR	10.0 Typ.(30-50MHz)
	2.0 Typ.(50-100MHz)
	1.5 Typ. / 2.0 Max.(100-3000MHz)
Output	N-Female
Average Power(W CW)	300 (150 @ 3.0GHz)
Peak Power(KW)	3
Material	Al
Size(mm)	1734 x 758 x 1425
Net Weight(Kg)	3.80 Around

P/N:DS-3300C	
Frequency Range(GHz)	0.03 – 3.0
Gain(dBi)	6 Typ.
Polarization	Linear
3dB Beamwidth(deg)	E Plane: 100 - 33
	H Plane: 360 - 84
VSWR	10.0 Typ.(30-50MHz)
	2.0 Typ.(50-100MHz)
	1.5 Typ. / 2.0 Max.(100-3000MHz)
Output	N-Female
Average Power(W CW)	300 (150 @ 3.0GHz)
Peak Power(KW)	3
Material	Al
Size(mm)	1734 x 758 x 1425
Net Weight(Kg)	3.90 Around

P/N:DS-3300E

Frequency Range(GHz)	0.03 – 3.0
Gain(dBi)	6 Typ.
Polarization	Linear
3dB Beamwidth(deg)	E Plane: 100 - 33
	H Plane: 360 - 84
VSWR	10.0 Typ.(30-50MHz) 2.0 Typ.(50-100MHz) 1.5 Typ. / 2.0 Max.(100-3000MHz)
Output	N-Female
Average Power(W CW)	300 (150 @ 3.0GHz)
Peak Power(KW)	3
Material	Al
Size(mm)	1734 x 758 x 1601
Net Weight(Kg)	4.30 Around

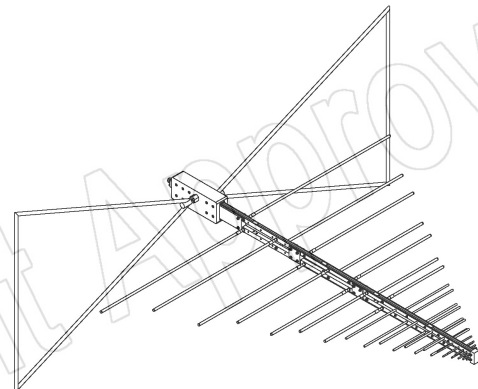
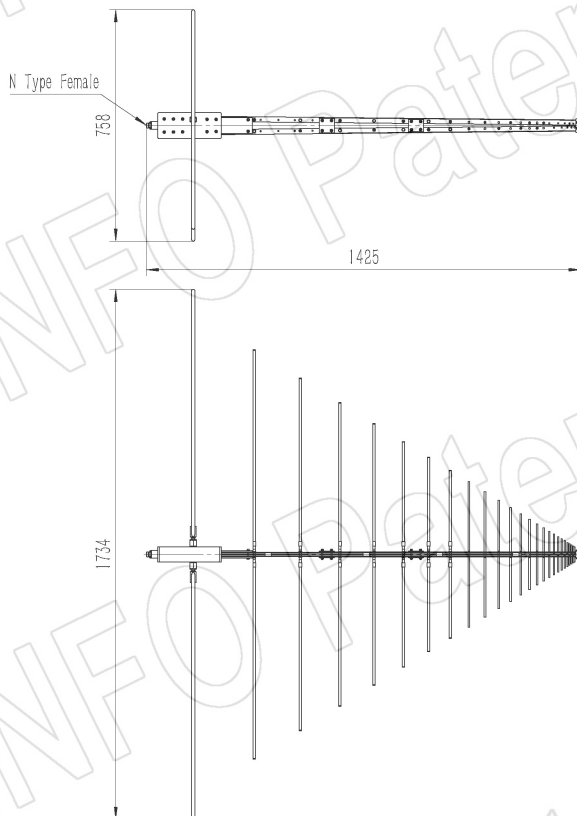


PATENT ID (China)

ZL201630454596.2

Outline Drawing (Size: mm)

DS-3300 (P/N: DS-3300)



AINFO Inc.

China(Beijing):
China(Chengdu):
USA :

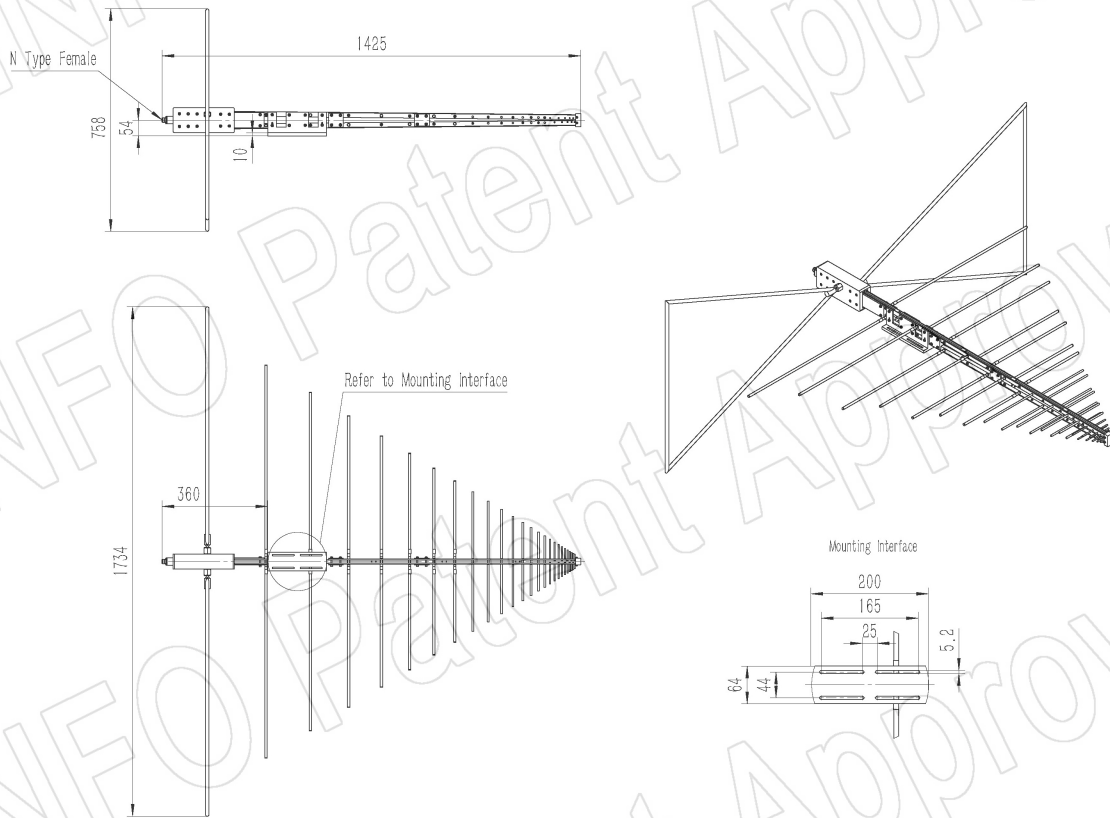
Tel: (+86) 10-6266-7326,
Tel: (+86) 28-8519-2786,
Tel: (+1) 949-639-9688,

(+86) 10-6266-7327
(+86) 28-8519-3044
(+1) 949-639-9608

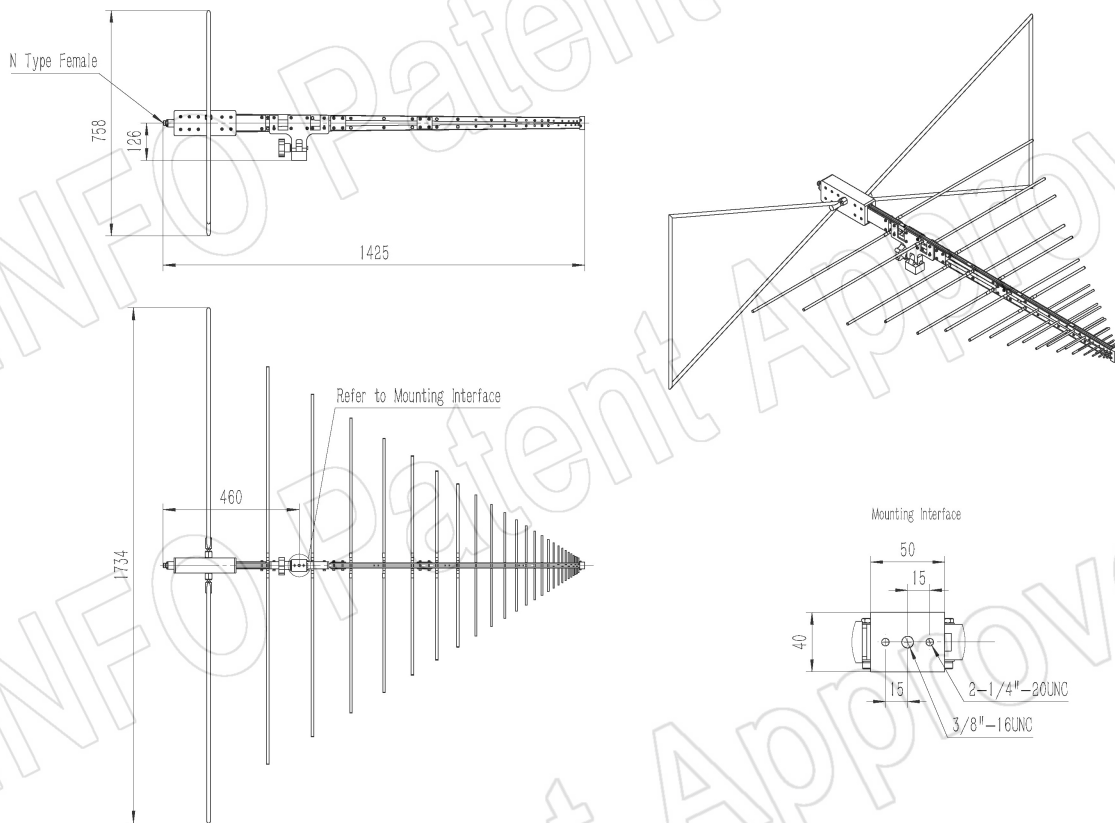
Fax: (+86) 10-6266-7379
Fax: (+86) 28-8519-3068
Fax: (+1) 949-639-9670

Website: www.ainfoinc.com
Email: sales@ainfoinc.com

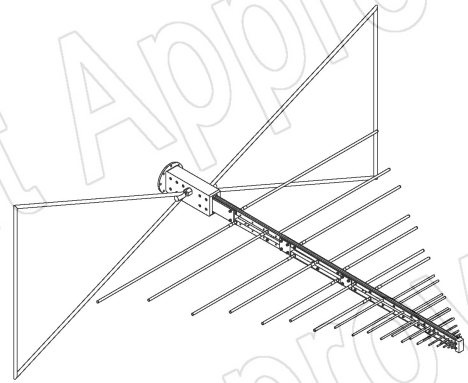
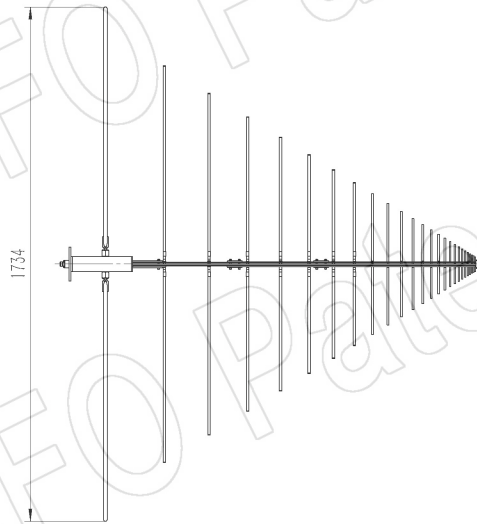
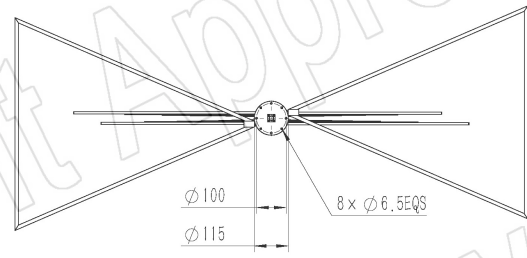
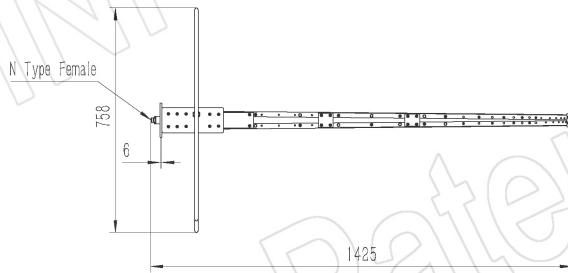
DS-3300 with Mounting Bracket (Option, P/N: DS-3200-MB)



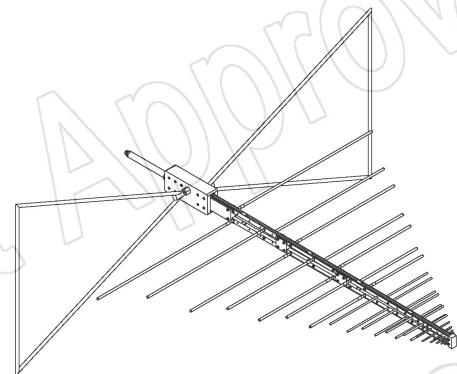
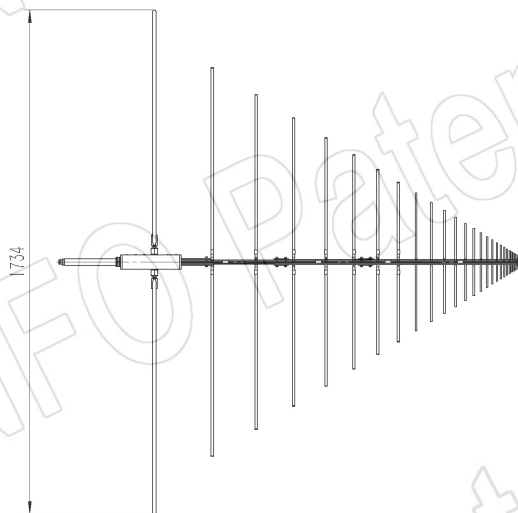
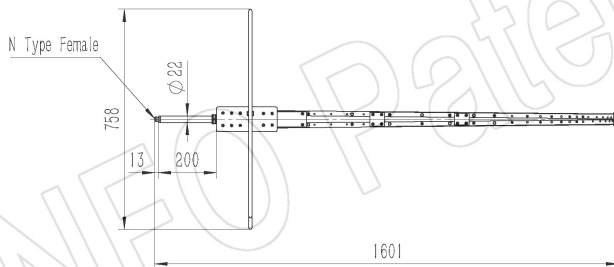
DS-3300 with Mounting Bracket for Tripod Application (Option, P/N: DS-3200-MBA)



DS-3300C (P/N: DS-3300C)

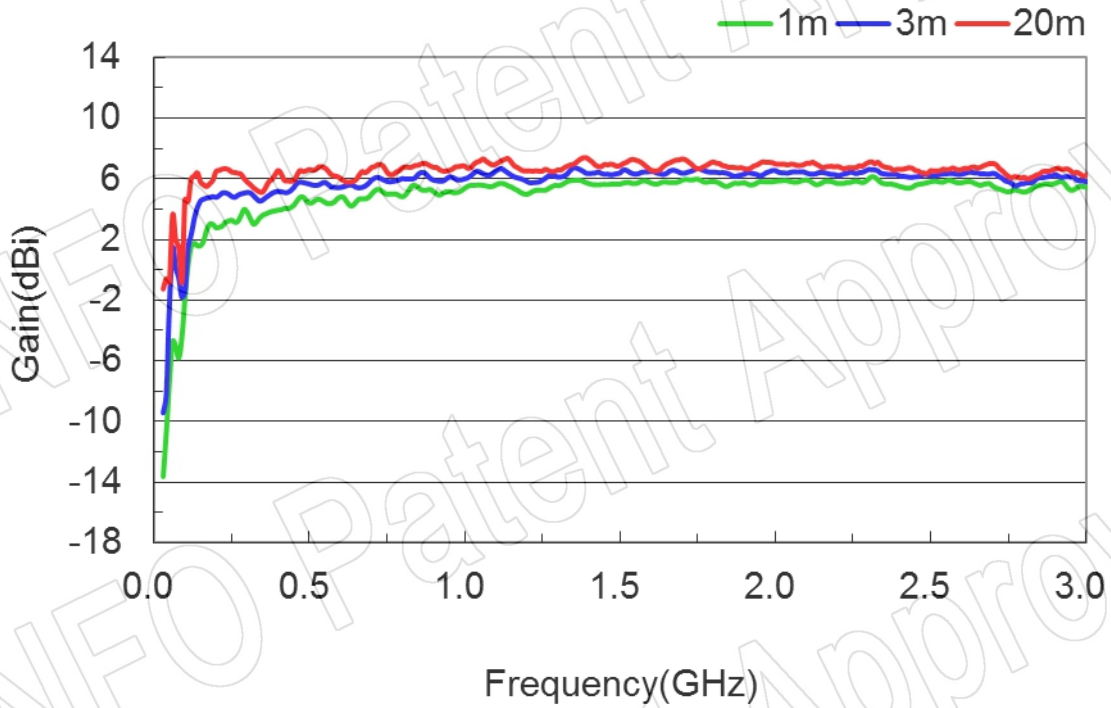


DS-3300E (P/N: DS-3300E)

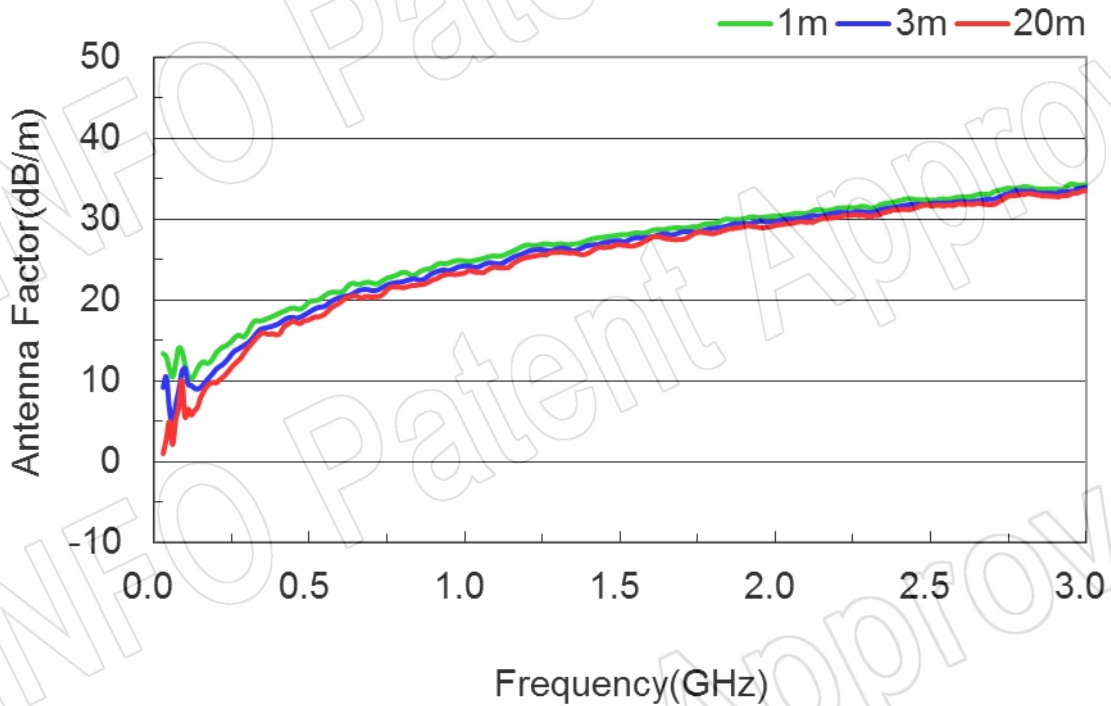


Test Results

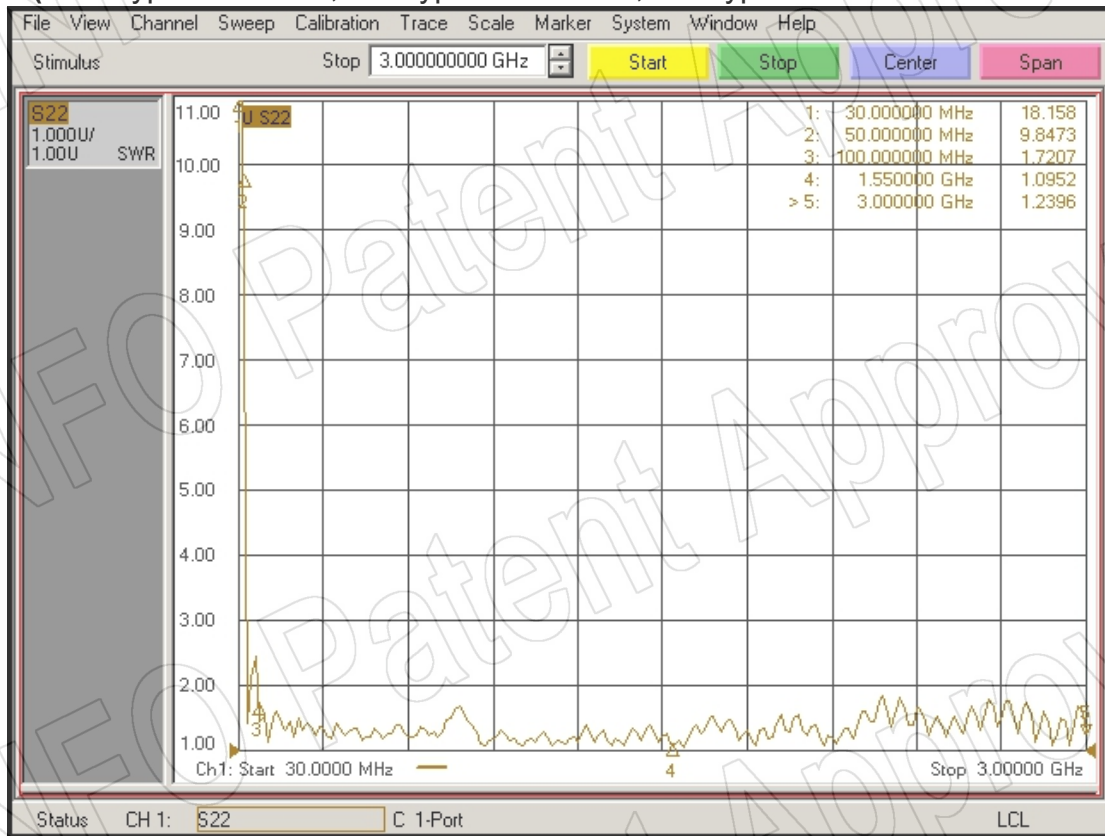
1. Gain



2. Antenna Factor



3. VSWR(10.0 Typ. 30-50MHz, 2.0 Typ. 50-100MHz, 1.5 Typ. / 2.0 Max. 100-3000MHz)



4. Pattern

